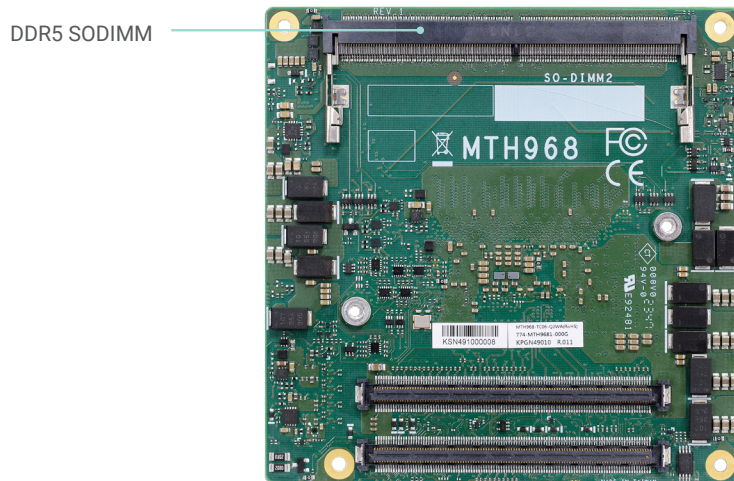
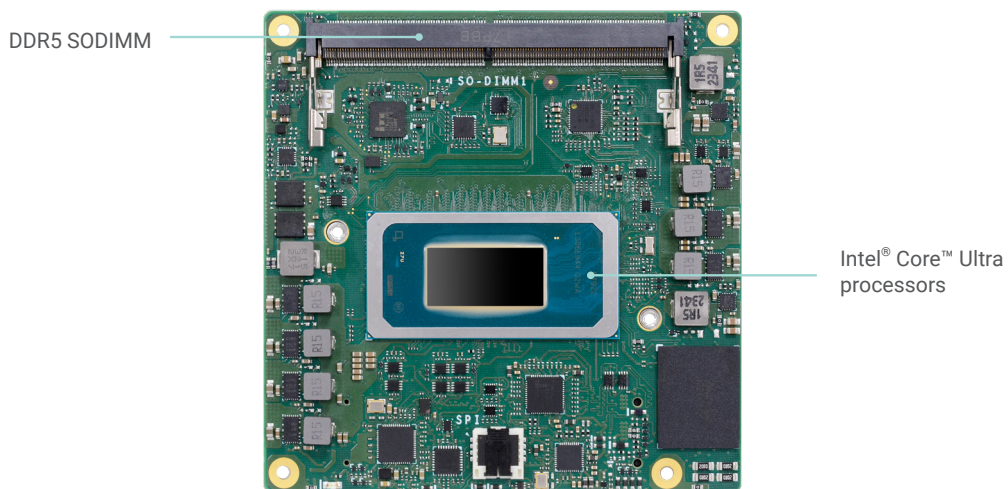


MTH968

Intel® Core™ Ultra processors
COM Express® Compact



Front View



Bottom View

KEY FEATURES



DDR5

Dual Channel DDR5
5600MHz SODIMM up
to 64GB



4K High Resolution

Supports 4K / 2K resolution



Multiple Displays

1 VGA, 1 LVDS/eDP,
3 DDI



Multiple Expansion

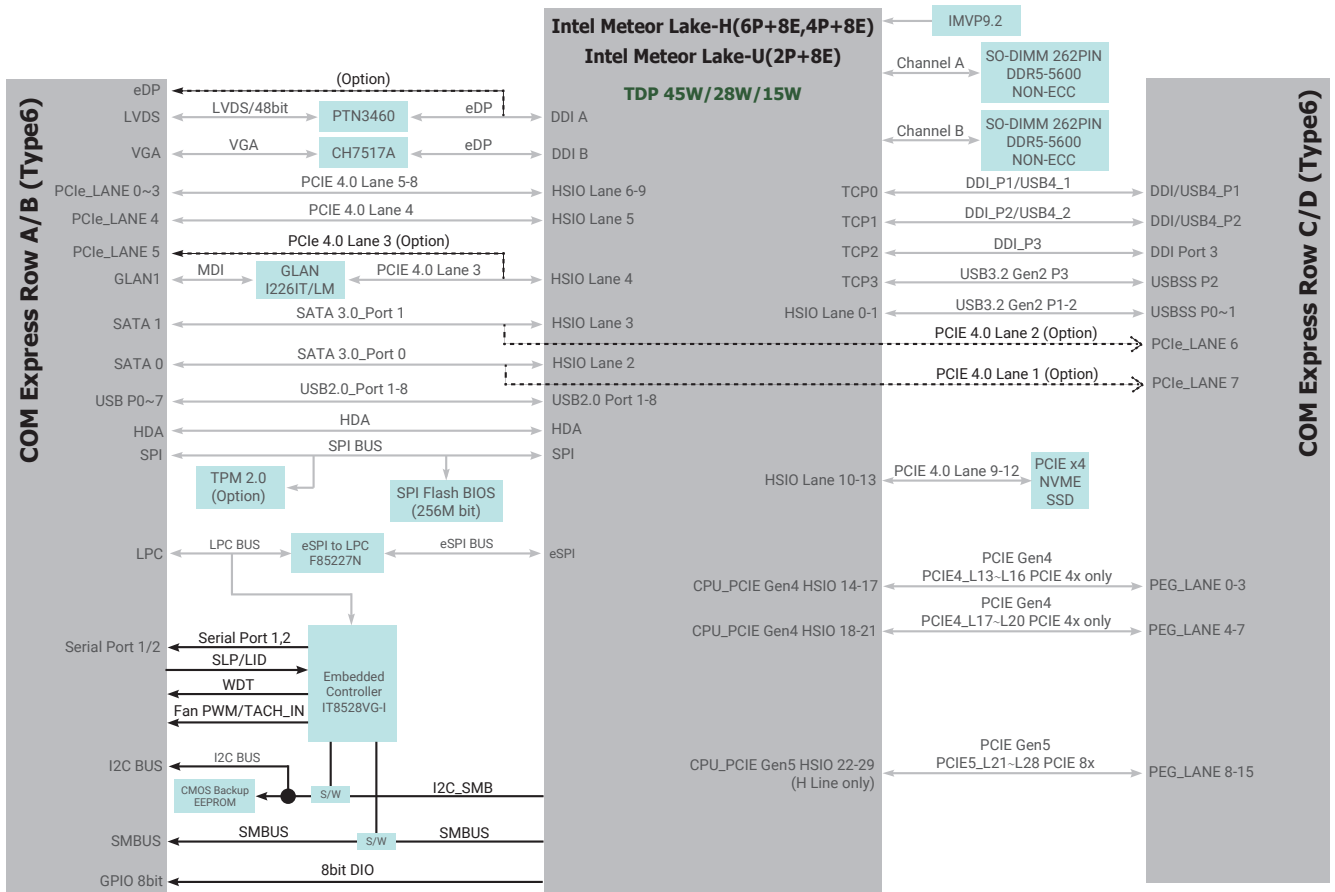
2 PCIe x4 (Gen4 from PEG),
5 PCIe x1 (Gen4),
1 PCIe x8 (Gen5, H-Line only),
1 I²C, 1 SMBus



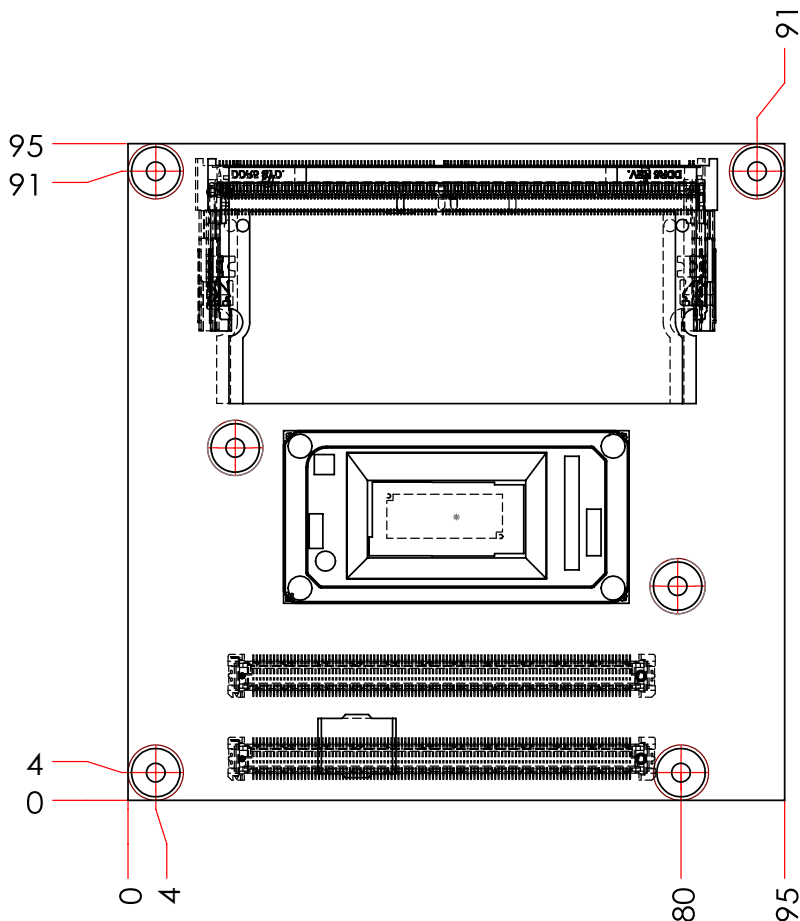
RICH I/O

1 Intel 2.5GbE,
2 USB 4.0, 4 USB 3.2,
8 USB 2.0,
2 SATA 3.0

BLOCK DIAGRAM



MECHANICAL DRAWING



SPECIFICATION

SYSTEM	Processor	Intel® Core™ Ultra Processor (Meteor Lake: U/H-series) Intel® Core™ Ultra 7 165H (6 P-Cores x 1.4 GHz, 8 E-Cores x 0.9 GHz, 24 MB cache, 28W) Intel® Core™ Ultra 7 155H (6 P-Cores x 1.4 GHz, 8 E-Cores x 0.9 GHz, 24 MB cache, 28W) Intel® Core™ Ultra 5 135H (4 P-Cores x 1.7 GHz, 8 E-Cores x 1.2 GHz, 18 MB cache, 28W) Intel® Core™ Ultra 5 125H (4 P-Cores x 1.2 GHz, 8 E-Cores x 0.7 GHz, 18 MB cache, 28W) Intel® Core™ Ultra 7 165U (2 P-Cores x 1.7 GHz, 8 E-Cores x 1.2 GHz, 12 MB cache, 15W) Intel® Core™ Ultra 7 155U (2 P-Cores x 1.7 GHz, 8 E-Cores x 1.2 GHz, 12 MB cache, 15W) Intel® Core™ Ultra 5 155U (2 P-Cores x 1.6 GHz, 8 E-Cores x 1.1 GHz, 12 MB cache, 15W) Intel® Core™ Ultra 5 135U (2 P-Cores x 1.3 GHz, 8 E-Cores x 0.8 GHz, 12 MB cache, 15W)	
	Memory	Two 260-Pin SO-DIMM up to 64GB Dual Channel DDR5 5600MHz	
	BIOS	AMI BIOS	
GRAPHICS	Controller	Intel® Iris® Xe graphics	
	Feature	DX12, Open GL 4.6, Vulkan 1.2 HW Decode: HEVC/VP9/AV1/AVC/H.265/MJPEG HW Encode: HEVC/VP9/AV1/AVC/H.265/MJPEG	
	Display	1 x VGA 1 x LVDS/eDP (eDP available upon request) 3 x DDI VGA: resolution up to 1920x1200 @ 60Hz LVDS: dual channel 24-bit, resolution up to 1920x1200 @ 60Hz eDP: resolution up to 4096x2304 @ 60Hz HDMI: resolution up to 4096x2160 @ 30Hz DP++: resolution up to 4096x2304 @ 60Hz	
	Triple Displays	VGA + LVDS + DDI DDI + eDP + DDI (available upon request)	
EXPANSION	Interface	2 x PCIe x4 (Gen4 from PEG) 5 x PCIe x1 (Gen4) 1 x PCIe x8 (Gen5, H-Line only) 1 x I ² C 1 x SMBus 1 x SPI 2 x UART	
AUDIO	Interface	HD Audio	
ETHERNET	Controller	1 x Intel® I226 series (10/100/1000Mbps/2.5G), co-lay PCIe x1 (available upon request)	
I/O	USB	4 x USB 3.2 Gen.2 8 x USB 2.0	
	SATA	2 x SATA 3.0 (up to 6Gb/s), co-lay PCIe x1 (available upon request)	
	NVMe SSD	1 x 64GB/128GB/256GB/512GB/1024GB on board SSD (available upon request)	
	DIO	1 x 8-bit DIO	
WATCHDOG TIMER	Output & Interval	System Reset, Programmable via Software from 1 to 255 Seconds	
SECURITY	TPM	Available Upon Request	
POWER	Type	8.5~20V, 5VSB, VCC_RTC (ATX mode) 8.5~12V, VCC_RTC (AT mode)	
	Consumption	TBD	
OS SUPPORT	Microsoft	Windows 10 IoT Enterprise 64-bit	
	Linux	Linux	
ENVIRONMENT	Temperature	Operating: 0°C~60°C, -40°C~85°C	Storage: -40°C~85°C
	Humidity	Operating: 10%~90% RH	Storage: 10%~90% RH
	MTBF	TBD	
MECHANICAL	Dimensions	COM Express® Compact	95mm (3.74") x 95mm (3.74")
	Compliance	PICMG COM Express® R3.1, Type 6	
STANDARDS AND CERTIFICATIONS	Certification	CE, FCC, RoHS	