



# EC700-BT

Atom

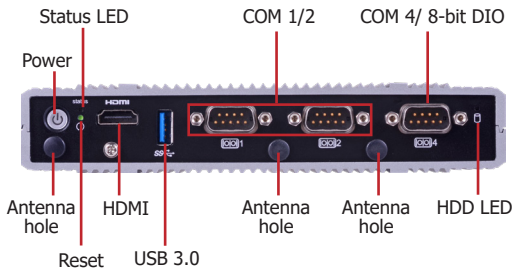


## Features

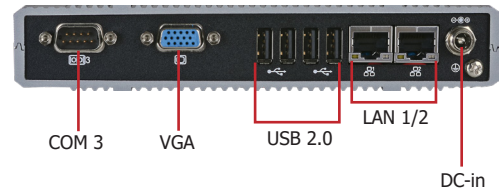
- 4GB/2GB DDR3L ECC onboard
- 1 mSATA, eMMC (optional)
- 1x 2.5" SATA drive bay
- Supports Wi-Fi, 3G/4G, and GPRS application
- Error Correcting Code (ECC) delivers a high level of data integrity, reliability, and system uptime



## Panel

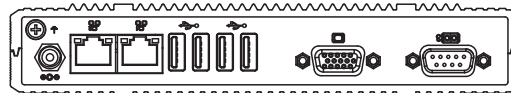


Front View



Rear View

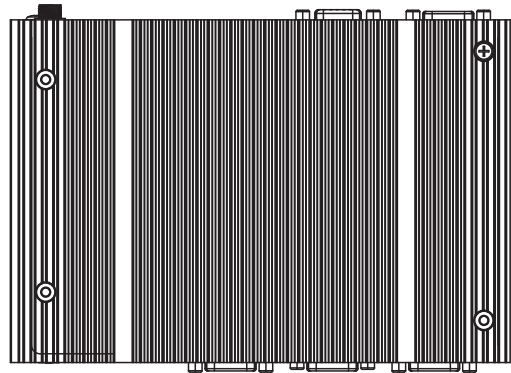
## Dimensions



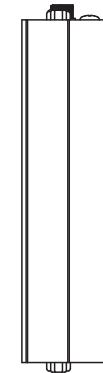
Rear View



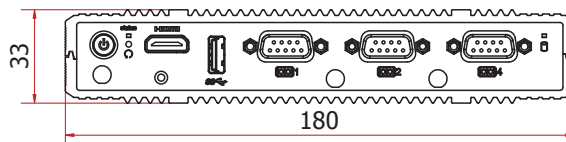
Left View



Top View



Right View



Front View

# EC700-BT

## Specifications \* Optional and is not supported in standard model. Please contact your sales representative for more information.

### PROCESSOR SYSTEM

- Intel® Atom™/Intel® Celeron® processors (BGA 1170 packaging technology)
  - Intel® Atom™ E3845, Quad Core, 2M Cache, 1.91GHz, 10W
  - Intel® Atom™ E3825, Dual Core, 1M Cache, 1.33GHz, 6W
  - Intel® Celeron® J1900, Quad Core, 2M Cache, 2GHz (2.41GHz), 10W
  - Intel® Celeron® N2807, Dual Core, 1M Cache, 1.58GHz (2.16GHz), 4.3W

### MEMORY

- 4GB/2GB DDR3L ECC onboard (-E45/-E25)  
4GB/2GB DDR3L non-ECC onboard (-J19/-N28)
- Supports DDR3L 1333MHz (-E45/-J19/-N28)  
Supports DDR3L 1066MHz (-E25)
- Supports single channel memory interface

### GRAPHICS

- Intel® HD Graphics
- Display ports: 1 HDMI, 1 VGA or 1 DVI-I\*
- HDMI, DVI: resolution up to 1920x1080 @ 60Hz
- VGA: 24-bit, resolution up to 2560x1600 @ 60Hz

### STORAGE

- 1 2.5" SATA drive bay
  - SATA 2.0 port with data transfer rate up to 3Gb/s
- 1 mSATA module via a Mini PCIe slot
- Supports 4GB, 8GB, 16GB and 32GB eMMC onboard\*

### ETHERNET

- 2 Intel® I210 PCI Express Gigabit Ethernet controllers
- Integrated 10/100/1000 transceiver
- Fully compliant with IEEE 802.3, IEEE 802.3u, IEEE 802.3ab

### COM

- 4 DB-9 ports
  - 3 DB-9 ports supports RS232/422/485 COM port
  - 1 DB-9 port supports RS232/422/485 COM or 8-bit DIO

### EXPANSION

- 3 Mini PCIe slots
  - 2 slots for communication
    - : One half size slot supports PCIe, USB, and LPC signals for Wi-Fi module or LPC module
    - : One full size slot supports PCIe, USB, and 3G signals for 3G or GPRS module
  - 1 full size slot for storage
    - : Supports mSATA module
- 1 SIM card socket
- 1 microSD socket\*

### DIO

- 1 8-bit DIO via the DB-9 port

### TRUSTED PLATFORM MODULE (TPM)\*

- Provides a Trusted PC for secure transactions
- Provides software license protection, enforcement and password protection

### I/O PORTS

- Front Panel
  - 3 DB-9 serial ports
    - : supports RS232/422/485
    - : One of the ports supports 8-bit DIO
  - 1 USB 3.0 (Type A) port
  - 1 HDMI port
  - 3 Wi-Fi antenna holes
  - 1 status LED
  - 1 HDD LED
  - 1 reset button
  - 1 power button
- Rear Panel
  - 1 DB-9 serial port
    - : supports RS232/422/485
  - 1 VGA port; or 1 DVI-I port\*
  - 4 USB 2.0 (Type A) ports
  - 2 RJ45 LAN ports
  - 1 9~36V DC-in jack

### POWER

- Power input voltage: 9~36V DC-in jack

### ENVIRONMENT

- Temperature
  - Operating (E3845/E3825)
    - : -20°C~60°C (SSD/mSATA)
    - : 0°C~50°C (HDD)
  - Operating (J1900/N2807)
    - : 0°C~60°C (SSD/mSATA)
    - : 0°C~50°C (HDD)
  - Storage: -20°C~85°C
- Operating Vibration
  - IEC68-2-64 (3G) (SSD/mSATA)
  - IEC68-2-64 (1G) (HDD)
- Operating Shock
  - Half sine wave 15G, 11ms, 3 shock per axis (SSD/mSATA)
  - Half sine wave 3G, 11ms, 3 shock per axis (HDD)

### CONSTRUCTION

- Aluminum + metal aluminum

### MOUNTING

- Wall/VESA/DIN Rail mount
  - Mounting brackets and screws\*

### DIMENSIONS

- 180mm x 33mm x 121.2mm (W x H x D)

### WEIGHT

- 800 g

### OS SUPPORT

- Windows 7, WES 7, Windows 8, WES 8, Windows 8.1
- Linux (Distribution available upon request)

Note: Windows 10 will be available upon request. Please contact DFI for more information.

### WATCHDOG TIMER

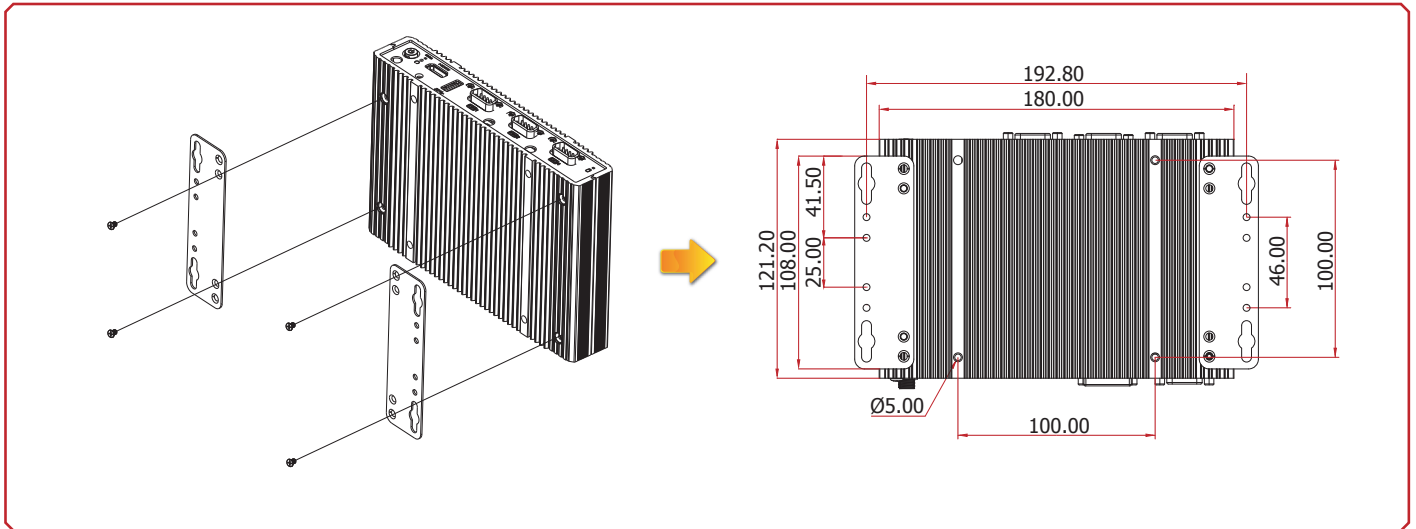
- Watchdog timeout programmable via software from 1 to 255 seconds

### CERTIFICATION

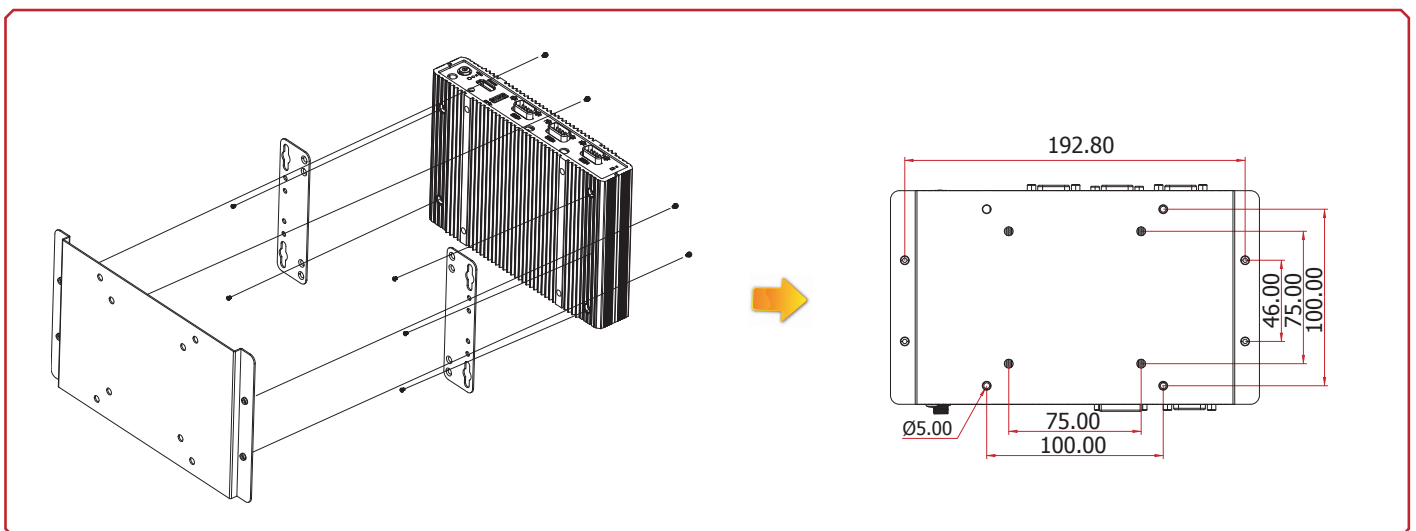
- CE
- FCC Class B
- RoHS
- UL
- CCC
- KC
- BIS

# EC700-BT

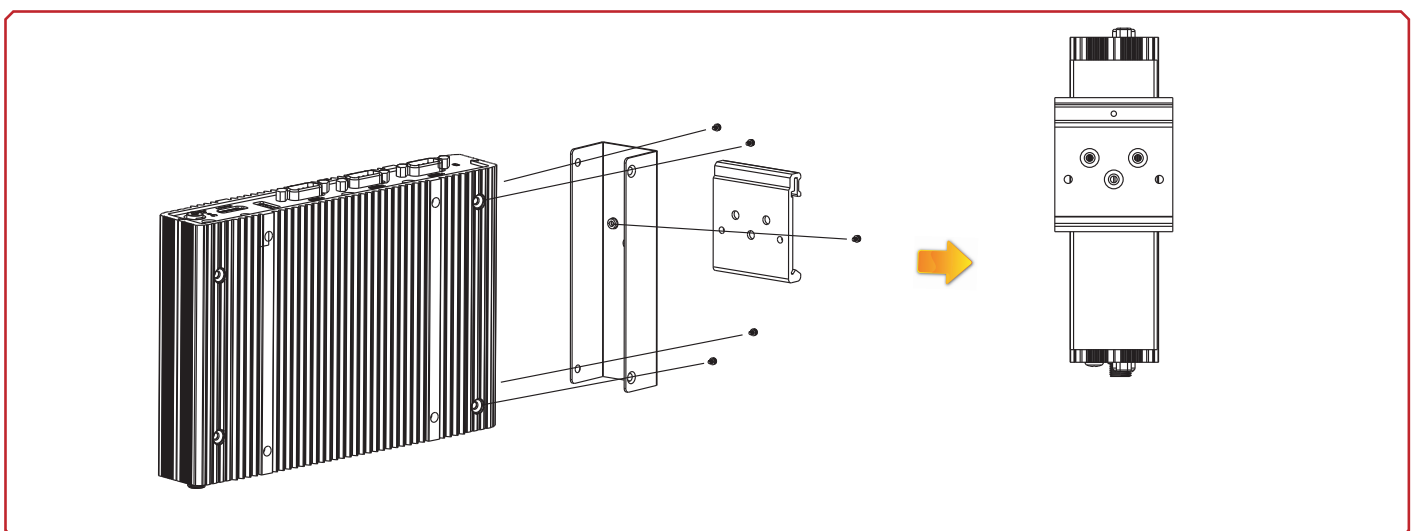
## Wall Mounting



## VESA Mounting



## DIN Rail Mounting



## EC700-BT

### ► Ordering Information

Model Name	Part Number	Description
<b>EC700-BT4051-E454</b>	750-EC7000-700G	Fanless, Intel Atom E3845, 2 LAN, 1 HDMI, 1 VGA, 4 COM, 5 USB, 4GB DDR3L onboard, TPM, RoHS
<b>EC700-BT4051-E252</b>	750-EC7000-A00G	Fanless, Intel Atom E3825, 2 LAN, 1 HDMI, 1 VGA, 4 COM, 5 USB, 2GB DDR3L onboard, TPM, RoHS
<b>EC700-BT4051-N282</b>	750-EC7000-C00G	Fanless, Intel Celeron N2807, 2 LAN, 1 HDMI, 1 VGA, 4 COM, 5 USB, 2GB DDR3L onboard, no TPM support, RoHS
<b>EC700-BT4051-J194</b>	750-EC7000-D00G	Fanless, Intel Celeron J1900, 2 LAN, 1 HDMI, 1 VGA, 4 COM, 5 USB, 4GB DDR3L onboard, TPM, RoHS

### ► Optional Items

Optional Items	Part Number	Description
<b>HDD</b>	785-H25500G	2.5" SATA HDD, 500GB, RoHS
	785-H25320G	2.5" SATA HDD, 320GB, RoHS
	785-S251TBG	2.5" SATA SSD, 1TB MLC, RoHS
	785-S25512G	2.5" SATA SSD, 512GB MLC, RoHS
	785-S25256G	2.5" SATA SSD, 256GB MLC, RoHS
	785-S25128G	2.5" SATA SSD, 128GB MLC, RoHS
	785-S25064G	2.5" SATA SSD, 64GB MLC, RoHS
	635-604802-100G	2.5" Intel SSD SC2BW480H601, 480GB, RoHS
<b>mSATA</b>	785-MS128GMF	mSATA Card, 128GB MLC, RoHS
	785-MS64GMF	mSATA Card, 64GB MLC, RoHS
	785-MS32GMF	mSATA Card, 32GB MLC, RoHS
	785-MS16GMF	mSATA Card, 16GB MLC, RoHS
	785-MS08GMF	mSATA Card, 8GB MLC, RoHS
	785-MS04GMF	mSATA Card, 4GB MLC, RoHS
<b>Wi-Fi</b>	761-110091-000G	Wi-Fi Kit, RoHS
<b>3G + GPS</b>	612-110040-600G	3G + GPS Kit, RoHS
<b>Power Cord</b>	785-PWRD	Power Cord, Standards (USA/EUR/CH), 1.8m, RoHS
<b>Power Adapter</b>	671-106012-000G	60W, 12V/5A, Level 6, RoHS
	671-106013-000G	60W, 12V/5A (-30 to 70°C), Level 6, RoHS
	671-106011-000G	60W, 19V/3.15A, Level 6, RoHS
<b>Wall Mount</b>	761-EC8000-000G	EC700/800 Wall Mount Kit, RoHS
<b>VESA Mount</b>	761-EC7000-100G	EC700 VESA Mount Kit, RoHS
<b>DIN Rail Mount</b>	761-EC8000-200G	EC700/800 DIN Rail Mount Kit, RoHS
<b>DC Cord</b>	A81-004031-007G	UL 1185 (5.5x2.5x9.5mm) with Nut to stripped and tinned, length 1000mm

### ► Packing List

• 1 EC700-BT system unit
• Mounting screws for SATA drive
• Mounting screws for Mini PCIe module
• 1 Quick Installation Guide