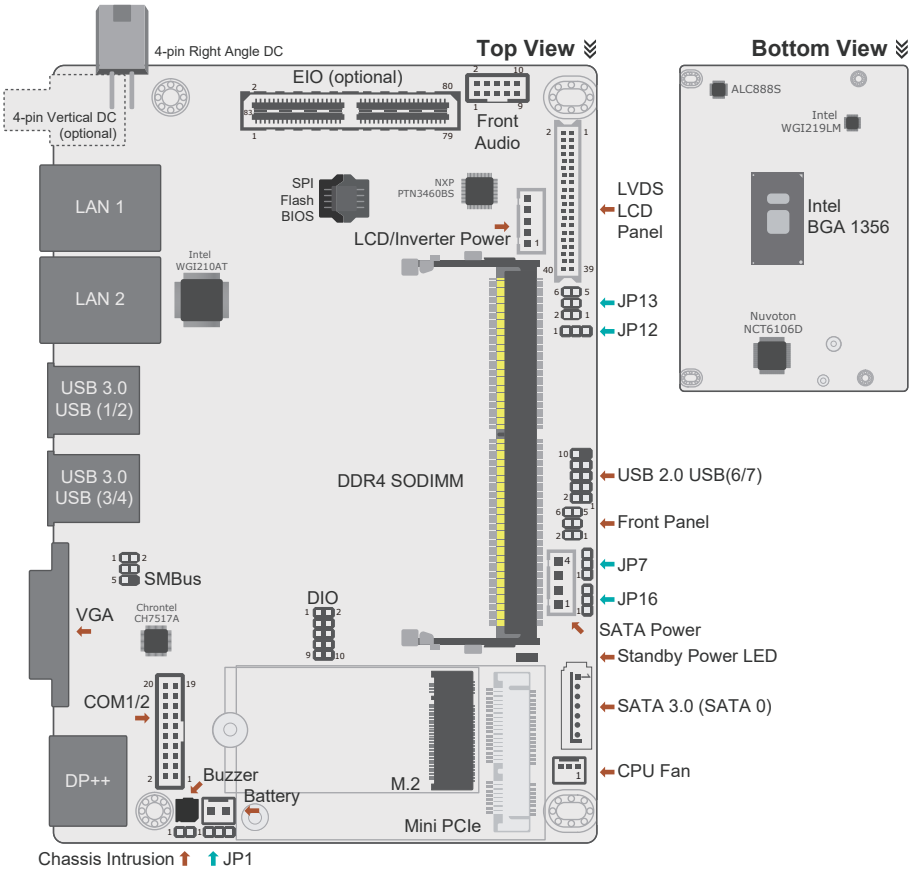


DFI

KU551 Quick Reference

Board Layout



Jumper Settings

Power-on Select	JP16
Power On via Power Button	1-2 On
Power On via AC Power	2-3 On

Clear CMOS Data	JP1
Normal (default)	1-2 On
Clear CMOS Data	2-3 On

M.2 Signal Select	JP7
SATA (default)	1-2 On
PCIe	2-3 On

LVDS Panel Backlight Brightness Select	JP12
+3.3V (default)	1-2 On
+5V	2-3 On

LVDS Panel Power Select	JP13
+12V	1-2 On
+5V	3-4 On
+3.3V (default)	5-6 On

Pin Assignments for I/O Connectors

SMBus

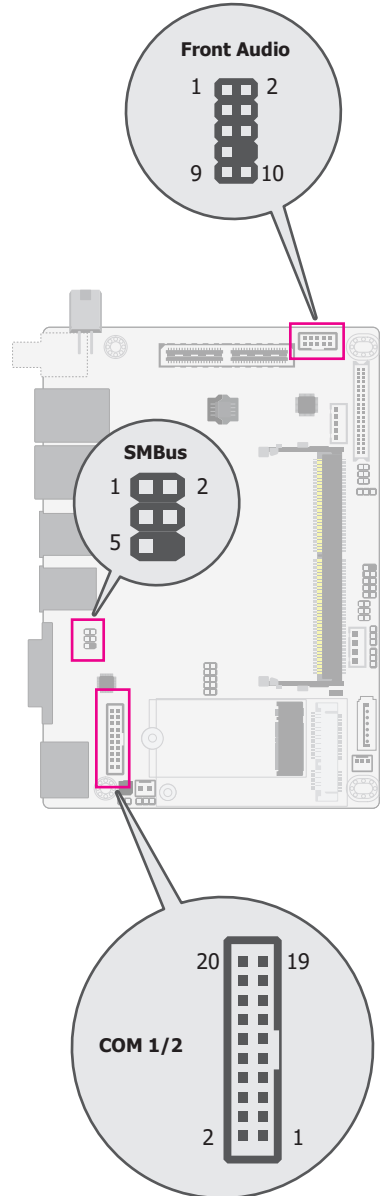
Pin	Assignment	Pin	Assignment
1	3V3SB	2	GND
3	SMB_CLK	4	SMB_DATA
5	SMB_ALERT	6	---

Front Audio

Pin	Assignment	Pin	Assignment
1	Mic-L	2	GND
3	Mic-R	4	N.C.
5	Line-R	6	Mic-JD
7	GND	8	---
9	Line-L	10	Line-JD

COM Ports (COM 1/2)

Pin	RS232	RS422	RS485
1	DCD_1	TX(B)_1	RX(B)/TX(B)_1
2	DSR_1	NC	NC
3	SIN_1	TX(A)_1	RX(A)/TX(A)_1
4	RTS_1	NC	NC
5	SO_1	RX(A)_1	NC
6	CTS_1	NC	NC
7	DTR_1	RX(B)_1	NC
8	RI_1	NC	NC
9	GND	GND	GND
10	GND	GND	GND
11	DCD_2	TX(B)_2	RX(B)/TX(B)_2
12	DSR_2	NC	NC
13	SIN_2	TX(A)_2	RX(A)/TX(A)_2
14	RTS_2	NC	NC
15	SO_2	RX(A)_2	NC
16	CTS_2	NC	NC
17	DTR_2	RX(B)_2	NC
18	RI_2	NC	NC
19	GND	GND	GND
20	GND	GND	GND



USB 2.0 Headers (USB 6/7)

Pin	Assignment	Pin	Assignment
1	VCC	2	VCC
3	Data0-	4	Data1-
5	Data0+	6	Data1+
7	GND	8	GND
9	---	10	N.C.

Digital I/O

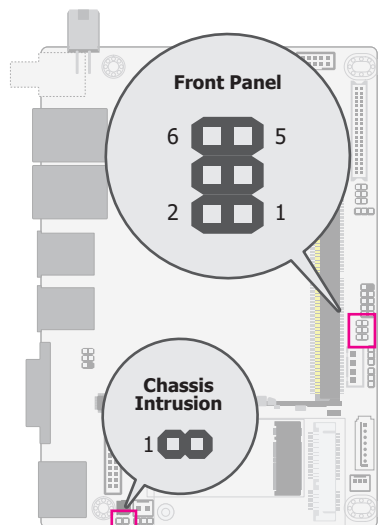
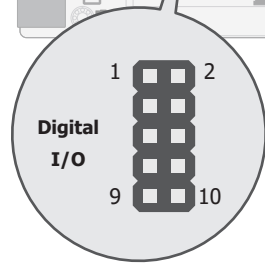
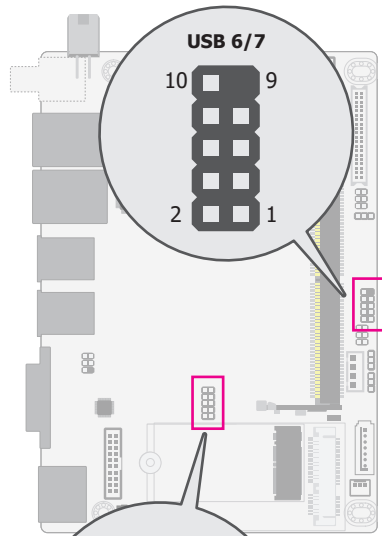
Pin	Assignment	Pin	Assignment
1	DIO07	5	DIO03
2	DIO06	6	DIO02
3	DIO05	7	DIO01
4	DIO04	8	DIO00

Front Panel

	Pin	Assignment	Pin	Assignment	
HDD-LED	6	LED Signal	PWR-BTN	1	Power Button
	2	LED Power		3	Ground
R E S E T	3	Ground	PWR-LED	2	LED Power
	5	Reset Signal		4	LED Signal

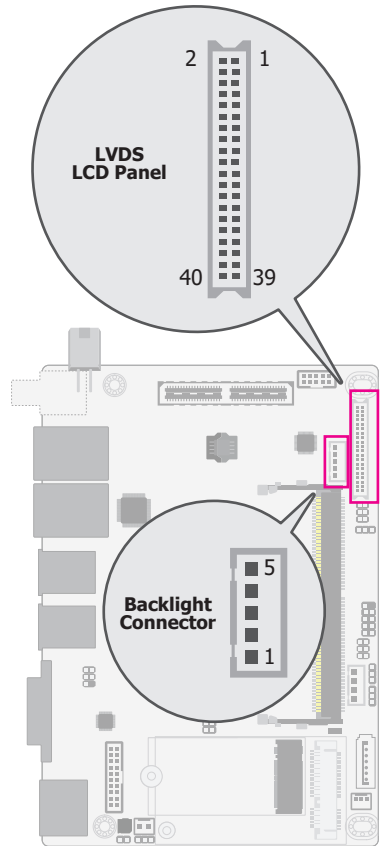
Chassis Intrusion

Pin	Assignment
1	Signal
2	GND



LVDS LCD Panel Connector

Pin	Assignment	Pin	Assignment
2	GND	1	GND
4	LVDS_Out7+	3	LVDS_Out3+
6	LVDS_Out7-	5	LVDS_Out3-
8	GND	7	GND
10	LVDS_Out6+	9	LVDS_Out2+
12	LVDS_Out6-	11	LVDS_Out2-
14	GND	13	GND
16	LVDS_Out5+	15	LVDS_Out1+
18	LVDS_Out5-	17	LVDS_Out1-
20	GND	19	GND
22	LVDS_Out4+	21	LVDS_Out0+
24	LVDS_Out4-	23	LVDS_Out0-
26	GND	25	GND
28	LVDS_CLK2+	27	LVDS_CLK1+
30	LVDS_CLK2-	29	LVDS_CLK1-
32	GND	31	GND
34	N.C.	33	DDC_CLK
36	+3.3V	35	DDC_DATA
38	Panel Power	37	Panel Power
40	Panel Power	39	Panel Power



Backlight Connector

Pin	Assignment	Pin	Assignment
1	+12V	4	Dimming Control
2	GND	5	+5V
3	Backlight On/Off Control		



DFI reserves the right to change the specifications at any time prior to the product's release. For the latest information about the product, please visit the document download page at go.dfi.com/KU551 or via the QR code to the right.

