



EC700-BT6051/6061

Atom

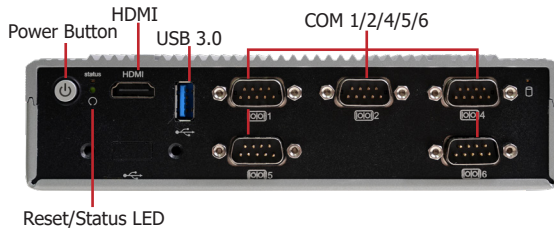


Features

- 4GB DDR3L onboard
- mSATA, eMMC (optional)
- 1x 2.5" SATA drive bay
- 6 COM, 5/6 USB, 2 LAN
- Supports 3G/4G and GPRS application



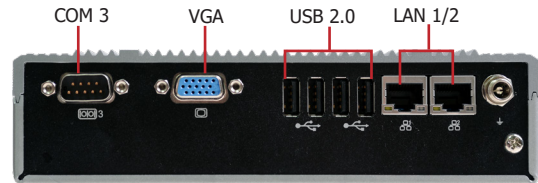
Panel



Front View(BT6051)

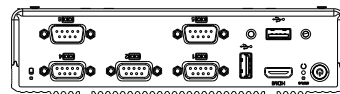


Front View(BT6061)

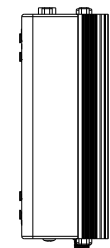


Rear View

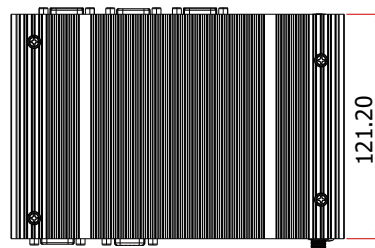
Dimensions



Rear View



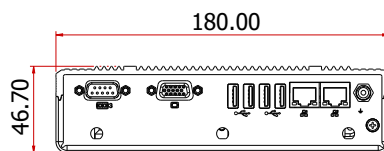
Left View



Top View



Right View

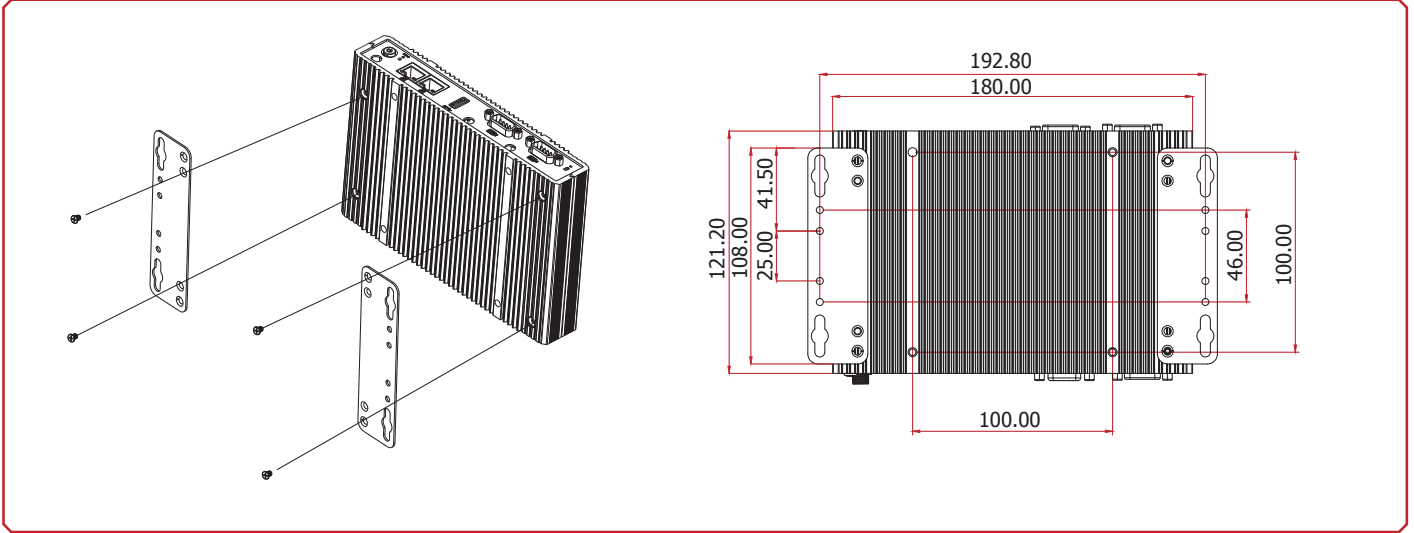


Front View

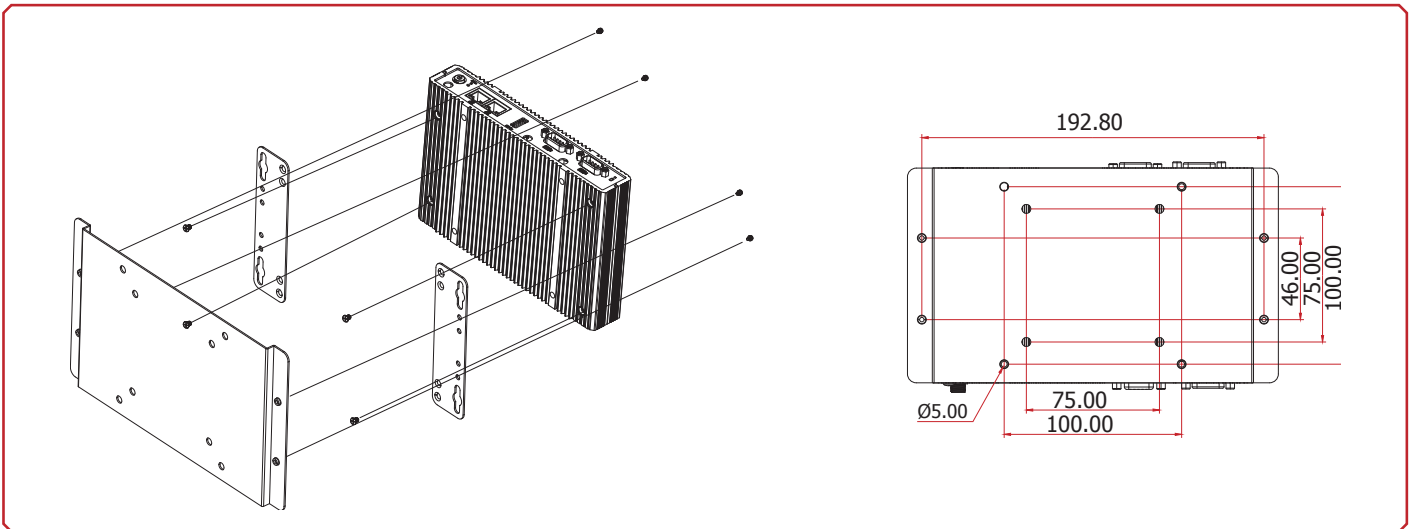
► Specifications

SYSTEM	Processor	Intel Atom® E3845, Quad Core, 2M Cache, 1.91GHz, 10W Intel® Celeron® J1900, Quad Core, 2M Cache, 2GHz (2.41GHz), 10W 22nm Process Technology
	Memory	4GB ECC Memory Onboard (E3845) Single Channel DDR3L1333MHz 4GB non-ECC Memory Onboard (J1900)
	BIOS	AMI SPI 64Mbit
GRAPHICS	Controller	Intel® HD Graphics
	Display	1 x VGA + 1 x HDMI HDMI: resolution up to 1920x1080 @ 60Hz VGA: 24-bit, resolution up to 2560x1600 @ 60Hz
	Dual Displays	1 VGA + 1 HDMI
STORAGE	External/Internal	1 x 2.5" SATA 2.0 Drive Bay 4GB/8GB/16GB/32GB eMMC Onboard (available upon request)
EXPANSION	Interface	1 x Full-size Mini PCIe (PCIe/USB/3G/GPRS) 1 x Full-size Mini PCIe (SATA) 1 x Half-size Mini PCIe (PCIe/USB/LPC) 1 x SIM
ETHERNET	Controller	2 x Intel® I210IT PCIe (10/100/1000Mbps)
LED	Indicators	1 x HDD LED 1 x Status LED
FRONT I/O	Serial	5 x COM port COM1, 2, 4 support RS-232/422/485 selectable (DB-9) (COM4 supports 8-bit DIO) COM5, 6 support RS-232 (DB-9)
	USB	1 x USB 3.0 (type A) (J1900) 1 x USB 3.0 (type A) + 1 x USB 2.0 (type A) (E3845)
	Display	1 x HDMI
	Buttons	1 x Power Button 1 x Reset Button
	REAR I/O	Ethernet
REAR I/O	Serial	1 x COM port COM3 support RS232/422/485 (DB-9)
	Display	1 x VGA (DB-15)
	USB	4 x USB 2.0 (type A)
	Wi-Fi Antenna	3 x Wi-Fi Module Antenna Hole
	WATCHDOG TIMER	Output & Interval
POWER	Type	Wide Range 9~36V
	Connector	DC Jack
OS SUPPORT		Windows 7, WES 7 Windows 10 IoT Linux (Distribution available upon request)
MECHANISM	Construction	Aluminum + Metal Aluminum
	Mounting	Wall/VESA mount
	Dimensions (W x H x D)	180mm x 46.7mm x 121.2mm
	Weight	985g
ENVIRONMENT	Operating Temperature	E3845: -20°C~60°C (SSD/mSATA), 0°C~50°C (HDD) J1900: 0°C~60°C (SSD/mSATA), 0°C~50°C (HDD)
	Storage Temperature	-20°C~85°C
STANDARDS AND CERTIFICATIONS	Shock	Half Sine Wave 15G, 11ms, 3 Shock Per Axis (SSD/mSATA) Half Sine Wave 3G, 11ms, 3 Shock Per Axis (HDD)
	Vibration	IEC68-2-64 (3G) (SSD/mSATA) IEC68-2-64 (1G) (HDD)
	Certification	CE, FCC Class B, RoHS, CCC

▶ Wall Mounting



▶ VESA Mounting



► Ordering Information

Model Name	Part Number	Description
EC700-BT6051-J194	750-EC7000-I00G	EC700-BT6051-J194:Fanless, EC700, 2 LAN, 1 HDMI, 1 VGA, 6 COM, 5 USB, 4GB RAM,F/G SYSTEM RoHS
EC700-BT6061-E454	750-EC7000-J00G	EC700-BT6061-E454:Fanless, EC700, 2 LAN, 1 HDMI, 1 VGA, 6 COM, 6 USB, 4GB RAM,F/G SYSTEM RoHS

► Optional Items

Optional Items	Part Number	Description
HDD	785-H25500G	2.5" SATA HDD, 500GB, RoHS
	785-H25320G	2.5" SATA HDD, 320GB, RoHS
	785-S251TBG	2.5" SATA SSD, 1TB MLC, RoHS
	785-S25512G	2.5" SATA SSD, 512GB MLC, RoHS
	785-S25256G	2.5" SATA SSD, 256GB MLC, RoHS
	785-S25128G	2.5" SATA SSD, 128GB MLC, RoHS
	785-S25064G	2.5" SATA SSD, 64GB MLC, RoHS
mSATA	785-MS128GMF	mSATA Card, 128GB MLC, RoHS
	785-MS64GMF	mSATA Card, 64GB MLC, RoHS
	785-MS32GMF	mSATA Card, 32GB MLC, RoHS
	785-MS16GMF	mSATA Card, 16GB MLC, RoHS
	785-MS08GMF	mSATA Card, 8GB MLC, RoHS
	785-MS04GMF	mSATA Card, 4GB MLC, RoHS
Wi-Fi	761-110091-000G	Wi-Fi Kit, RoHS
3G + GPS	612-110040-600G	3G + GPS Kit, RoHS
Power Cord	785-PWRD	Power Cord, Standards (USA/EUR/CH), 1.8m, RoHS
Power Adapter	671-106012-000G	60W, 12V/5A, Level 6, RoHS
Wall Mount	761-EC8000-000G	EC700/800 Wall Mount Kit, RoHS
VESA Mount	761-EC7000-100G	EC700 VESA Mount Kit, RoHS
DC Cord	A81-004031-007G	UL 1185 (5.5x2.5x9.5mm) with Nut to stripped and tinned, length 1000mm

785-XXX is a group number instead of a unique part number. Please contact your regional sales representative if you need more information.

► Packing List

• 1 EC700-BT6051/6061 system unit
• Mounting screws for SATA drive
• Mounting screws for Mini PCIe module
• 1 Quick Installation Guide