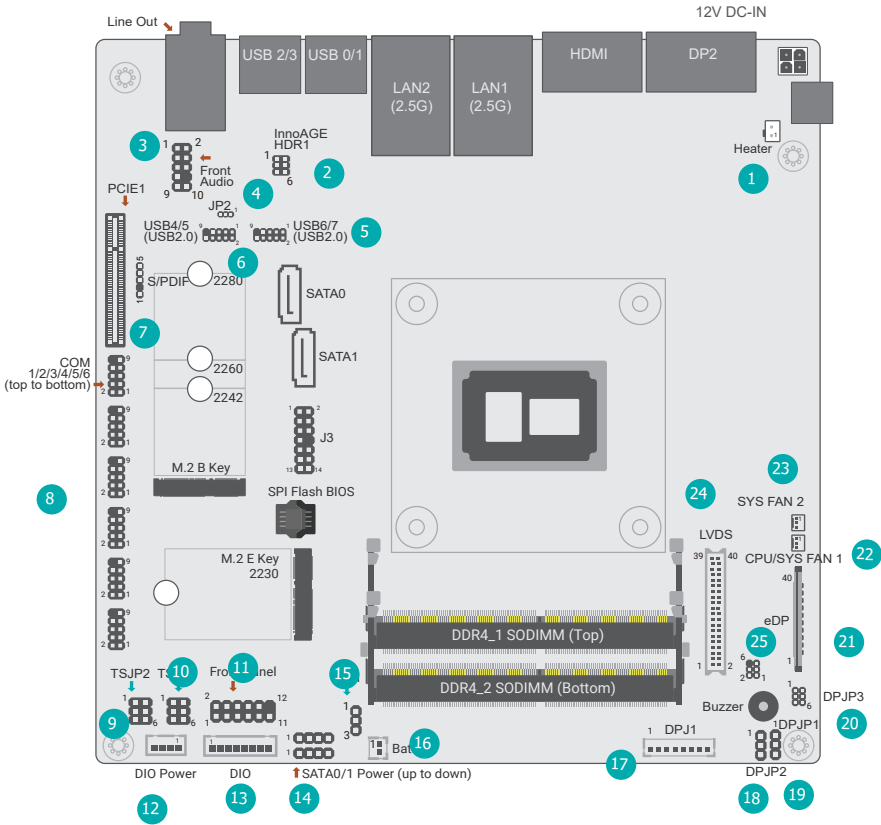
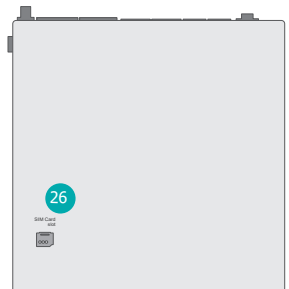


**Board Layout**



- |                  |                               |            |
|------------------|-------------------------------|------------|
| 1 Heater         | 10 TSJP1                      | 19 DPJP1   |
| 2 InnoAGE HDR1   | 11 Front Panel                | 20 DPJP3   |
| 3 Front Audio    | 12 DIO Power                  | 21 eDP     |
| 4 JP2            | 13 DIO                        | 22 CPU FAN |
| 5 USB6/7(USB2.0) | 14 SATA0/1 power (up to down) | 23 SYS FAN |
| 6 USB4/5(USB2.0) | 15 Clear CMOS (JP1)           | 24 LVDS    |
| 7 S/PDIF         | 16 Battery                    | 25 J3      |
| 8 COM1~6         | 17 DPJ1                       | 26 SIM     |
| 9 TSJP2          | 18 DPJP2                      |            |



# Jumper Settings

## 15 Clear CMOS

### JP1

Normal (default)	1-2 On
Clear CMOS Data	2-3 On

## 10 COM1 Power Selection

### TSJP1

RS232 Standard (Default)	1-3 On / 2-4 On
RS232 With Power	3-5 On / 4-6 On

## 9 COM 2 Power Selection

### TSJP2

RS232 Standard (Default)	1-3 On / 2-4 On
RS232 With Power	3-5 On / 4-6 On

## 20 Panel VDD Power Jumper

### DPJP3

12V	1-2 On
5V	3-4 On
3.3V(default)	5-6 On

## 19 Panel Backlight Selection

### DPJP1

3.3V(default)	1-2 On
5V	2-3 On

## 18 Panel Inverter/Backlight Power Selection

### DPJP2

12V(default)	1-2 On
5V	2-3 On

# Pin Assignments

## 1 Heater

Pin	Function	Pin	Function
1	GND	2	HT_EN#

## 5 USB 2.0 6/7

Pin	Function	Pin	Function
1	5V_USB67	2	5V_USB67
3	USB2_6_C_N	4	USB2_7_C_N
5	USB2_6_C_P	6	USB2_7_C_P
7	GND	8	GND
9	---	10	N.C.

## 3 Front Audio

Pin	Function	Pin	Function
1	MIC2-L	2	AGND_AUDIO
3	MIC2-R	4	N.C.
5	LINE2-R	6	MIC2-JD
7	AGND_AUDIO	8	--
9	LINE2-L	10	LINE2-JD

## 6 USB 2.0 4/5

Pin	Function	Pin	Function
1	5V_USB45	2	5V_USB45
3	USB2_4_C_N	4	USB2_5_C_N
5	USB2_4_C_P	6	USB2_5_C_P
7	GND	8	GND
9	---	10	N.C.

## 7 S/PDIF

Pin	Function
1	A5V
2	--
3	SPOUT
4	GND
5	SPIN

## 8 COM1

Pin	Function	Pin	Function
1	X_MDCD1-	2	MSIN1- COM
3	MSO1- COM	4	MDTR1- COM
5	GND	6	MDSR1-
7	MRTS1-	8	MCTS1-
9	X_MRI1-	10	--

# Pin Assignments

## 8 COM2

Pin	Function	Pin	Function
1	X_MDCD2-	2	MSIN2- COM
3	MSO2- COM	4	MDTR2- COM
5	GND	6	MDSR2-
7	MRTS2-	8	MCTS2-
9	X_MRI2 -	10	--

## 8 COM3

Pin	Function	Pin	Function
1	MDCD3-	2	MSIN3-
3	MSO3-	4	MDTR3-
5	GND	6	MDSR3-
7	MRTS3-	8	MCTS3-
9	MRI3 -	10	--

## 8 COM4

Pin	Function	Pin	Function
1	MDCD4-	2	MSIN4-
3	MSO4-	4	MDTR4-
5	GND	6	MDSR4-
7	MRTS4-	8	MCTS4-
9	MRI4 -	10	--

## 8 COM5

Pin	Function	Pin	Function
1	MDCD5-	2	MSIN5-
3	MSO5-	4	MDTR5-
5	GND	6	MDSR5-
7	MRTS5-	8	MCTS5-
9	MRI5 -	10	--

## 8 COM6

Pin	Function	Pin	Function
1	MDCD6-	2	MSIN6-
3	MSO6-	4	MDTR6-
5	GND	6	MDSR6-
7	MRTS6-	8	MCTS6-
9	MRI6 -	10	--

## 12 DIO Power

Pin	Function
1	+12V
2	GND
3	5VSB
4	5V

## 11 Front Panel

Pin	Function	Pin	Function
1	N.C.	2	3V3SB
3	3V3	4	3V3SB
5	HD_LED#	6	SUS_LED#
7	GND	8	GND
9	PM_SYSRST#	10	SIO_PWSIN#
11	N.C.	12	--

## 13 DIO

Pin	Function
1	D_IOA0_C
2	D_IOA1_C
3	D_IOA2_C
4	D_IOA3_C
5	D_IOA4_C
6	D_IOA5_C
7	D_IOA6_C
8	D_IOA7_C

## 14 SATA0/1 Power

Pin	Function
1	+12V
2	GND
3	GND
4	5V

## 16 Battery Header

Pin	Function	Pin	Function
1	V_BAT	2	GND

## 24 LVDS

Pin	Function	Pin	Function
1	GND	2	GND
3	LVDSA_LANE3_P	4	LVDSB_LANE3_P
5	LVDSA_LANE3_N	6	LVDSB_LANE3_N
7	GND	8	GND
9	LVDSA_LANE2_P	10	LVDSB_LANE2_P
11	LVDSA_LANE2_N	12	LVDSB_LANE2_N
13	GND	14	GND
15	LVDSA_LANE1_P	16	LVDSB_LANE1_P
17	LVDSA_LANE1_N	18	LVDSB_LANE1_N
19	GND	20	GND
21	LVDSA_LANE0_P	22	LVDSB_LANE0_P
23	LVDSA_LANE0_N	24	LVDSB_LANE0_N
25	GND	26	GND
27	LVDSA_CLK_P	28	LVDSB_CLK_P
29	LVDSA_CLK_N	30	LVDSB_CLK_N
31	GND	32	GND
33	LVDS_DDC_CLK	34	N.C.
35	LVDS_DDC_DATA	36	LVDS_3V3
37	LVDS_PANEL_PWR	38	LVDS_PANEL_PWR
39	LVDS_PANEL_PWR	40	LVDS_PANEL_PWR

## 21 eDP

Pin	Function	Pin	Function
1	N.C.	21	EDP_VCC_PANEL
2	INV_PWR	22	EDP_VCC_PANEL
3	INV_PWR	23	EDP_VCC_PANEL
4	INV_PWR	24	GND
5	INV_PWR	25	eDPB_AUXN
6	N.C.	26	eDPB_AUXP
7	N.C.	27	GND
8	DIMMING_1	28	eDPB_LANE0_C_P
9	BLONOFF_1	29	eDPB_LANE0_C_N
10	eDP_GND	30	GND
11	eDP_GND	31	eDPB_LANE1_C_P
12	eDP_GND	32	eDPB_LANE1_C_N
13	eDP_GND	33	GND
14	eDP_HPDCON_1	34	eDPB_LANE2_C_P
15	GND	35	eDPB_LANE2_C_N
16	GND	36	GND
17	GND	37	eDPB_LANE3_C_P
18	GND	38	eDPB_LANE3_C_N
19	N.C.	39	GND
20	EDP_VCC_PANEL	40	N.C.

## 22 23 CPU/SYS FAN1/SYS FAN2

Pin	Function
1	GND
2	PWM
3	TACH

## 2 InnoAGE HDR1

Pin	Function	Pin	Function
1	PM_SYSRST#	2	GP_G14_RECOV#
3	SUS_LED#	4	HD_LED#
5	SIO_PWSIN#	6	GND

### 13 LVDS Backlight (DPJ1)

Pin	Function
1	GND
2	GND
3	DIMMING
4	GND
5	LVDS_PANEL_PWR
6	BLONOFF
7	INV_PWR
8	INV_PWR

### 2 Innoage HDR1

Pin	Function	Pin	Function
1	PM_SYSRST#	2	GP_G14_RECOV#
3	SUS_LED#	4	HD_LED#
5	SIO_PWSIN#	6	GND