

MD711-SU

ULT

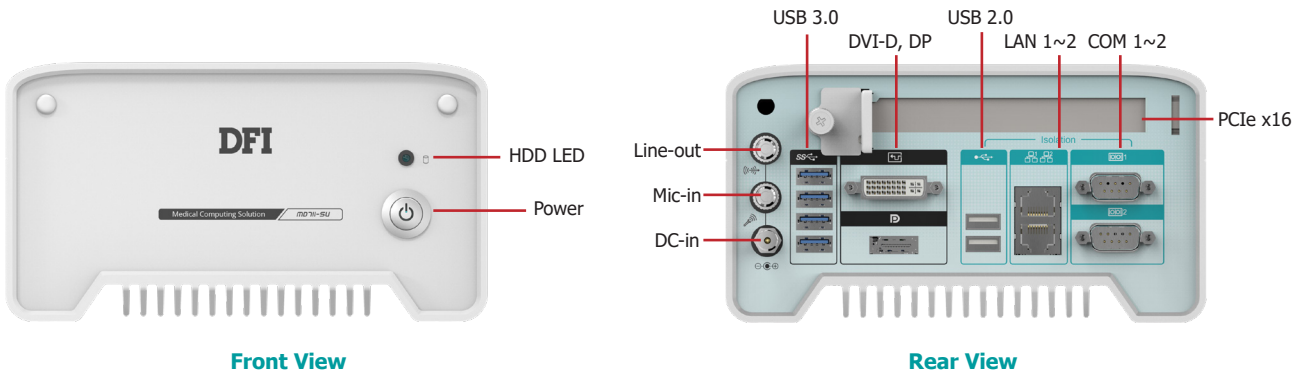


► Features

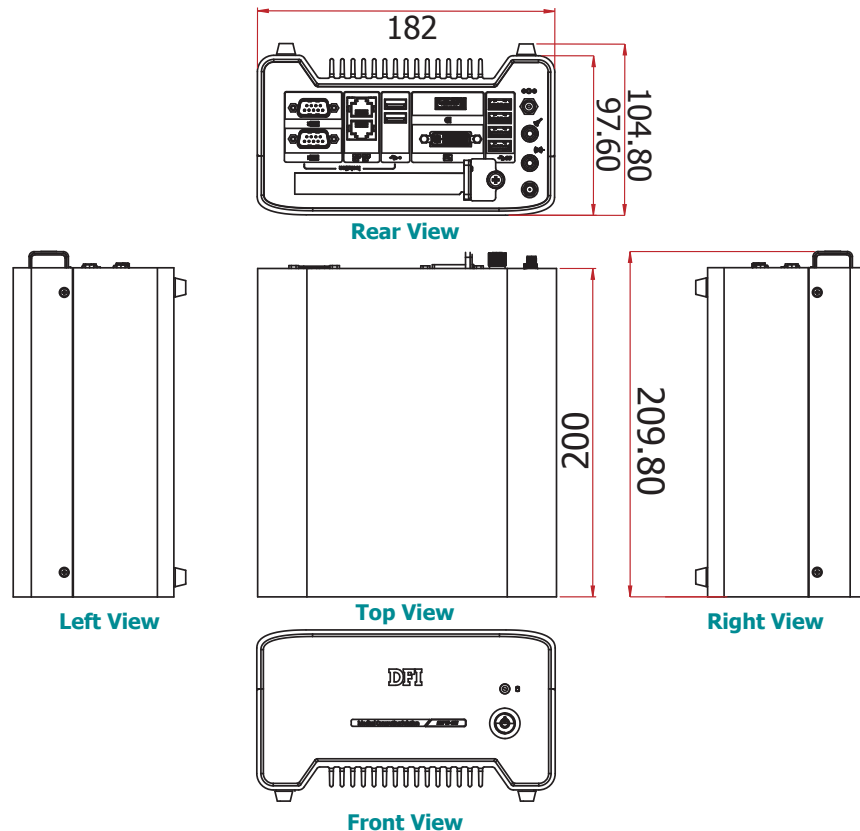
- Medical Computing System with easy clean design
- 2 DDR4 SODIMM up to 32GB
- 2 x 2.5" SATA 3.0 drive bay
- Supports 1 PCIe 16 slot, 1 Full-Size Mini PCIe slot, 1 M.2 slot (2242 B key)
- 4KV Isolated I/O ports: 2 Intel GbE, 2 COM, 2 USB 2.0



► Panel



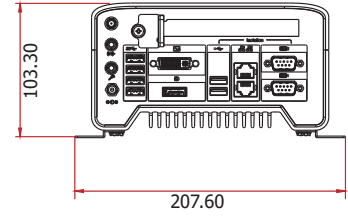
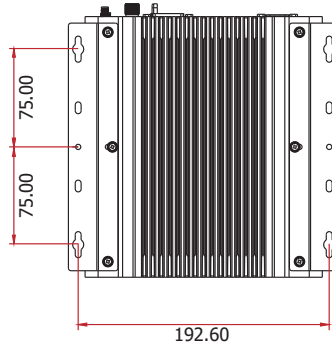
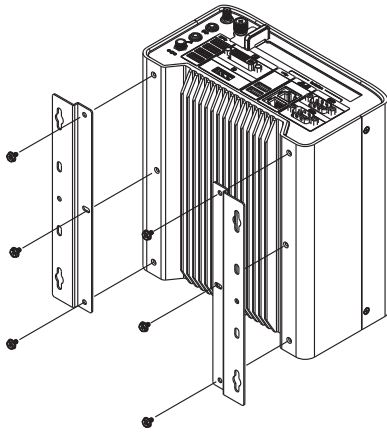
► Dimensions



► Specifications

SYSTEM	Processor	6th Generation Intel® Core™ Processors, BGA 1356 Intel® Core™ i7-6600U Processor, Dual Core, 4M Cache, 2.6GHz, 15W Intel® Core™ i5-6300U Processor, Dual Core, 3M Cache, 2.4GHz, 15W
	Memory	Two 260-pin SODIMM up to 32GB Dual Channel DDR4 2133MHz
	BIOS	Insyde SPI 128Mbit
GRAPHICS	Controller	Intel® HD Graphics GT Series
	Feature	OpenGL 5.0, DirectX 12, OpenCL 2.1 HW Decode: AVC/H.264, MPEG2, VC1/WMV9, JPEG/MJPEG, HEVC/H265, VP8, VP9 HW Encode: AVC/H.264, MPEG2, JPEG, HEVC/H265, VP8, VP9
	Display	1 x DP/HDMI (HDMI available upon request) DP: resolution up to 4096x2304 @ 60Hz 1 x DVI-D HDMI: resolution up to 2560x1600 @ 60Hz or 4096x2160 @ 24Hz DVI-D: resolution up to 1920x1200 @ 60Hz
	Dual Displays	DVI-D + DP
STORAGE		2 x 2.5" SATA 3.0 Drive Bay
EXPANSION	Interface	1 x PCIe x16 (Gen 3) (x4 signal) 1 x Full-size Mini PCIe (PCIe/USB) 1 x M.2 (2242 B Key) (PCIe/USB/SATA)
AUDIO	Audio Codec	Realtek ALC888 5.1-channel
ETHERNET	Controller	1 x Intel® I210AT PCIe (10/100/1000Mbps) 1 x Intel® I219LM with iAMT11.0 PCIe (10/100/1000Mbps)
LED	Indicators	1 x Power LED 1 x HDD LED
FRONT I/O	Buttons	1 x Power Button
REAR I/O	Ethernet	2 x GbE (RJ-45) (supports 4kV isolation)
	Serial	2 x RS-232 (DB-9) (supports 4kV isolation)
	USB	4 x USB 3.0 (type A) 2 x USB 2.0 (type A, full speed) (supports 4kV isolation)
	Display	1 x DP/HDMI (HDMI available upon request) 1 x DVI-D
	Audio	1 x Line-out 1 x Mic-in
	Wi-Fi Antenna	1 x Wi-Fi Antenna Hole
WATCHDOG TIMER	Output & Interval	System Reset, Programmable via Software from 1 to 255 Seconds
POWER	Type	Wide Range 9~36V
	Connector	DC Jack
OS SUPPORT		Windows 7 (32/64-bit) WES 7 Windows 8.1 (64-bit) WE8S Windows 10 Linux
MECHANISM	Construction	Aluminum + Metal Aluminum
	Mounting	Wall Mount
	Dimensions (W x H x D)	182mm x 97.6mm x 200mm (7.17" x 3.84" x 7.87")
	Weight	2.3 kg
ENVIRONMENT	Operating Temperature	0 to 40°C (w/0.7m air flow)
	Storage Temperature	-20 to 85°C
	Relative Humidity	5 to 90% RH (non-condensing)
STANDARDS AND CERTIFICATIONS	Shock	Operating: 3G, 11ms Non-Operating: 5G, 11ms
	Vibration	Operating: Random 5~500Hz, IEC68-2-64 (3G) (SSD/mSATA), IEC68-2-64 (0.5G) (HDD) Non-Operating: Sine 10~500Hz, IEC68-2-6 (3G) (SSD/mSATA), IEC68-2-6 (1G) (HDD)
	Certification	CE, FCC, RoHS IEC 60601-1-2:2014 EN 60601-1-2:2015 ISO 14971:2007

Wall Mounting



► Ordering Information

Model Name	Part Number	Description
MD711-SU2061	750-MD7110-000G	Fanless, Intel Core i5-6300U, 1 DP, 1 DVI-D, 2 LAN, 2 COM, 6 USB, 1 PCIe x16, RoHS
MD711-SU2061	750-MD7110-100G	Fanless, Intel Core i7-6600U, 1 DP, 1 DVI-D, 2 LAN, 2 COM, 6 USB, 1 PCIe x16, RoHS
MD711-SU2061	750-MD7110-200G	Fanless, Intel Core i7-6600U, 1 HDMI, 1 DVI-D, 2 LAN, 2 COM, 6 USB, 1 PCIe x16, RoHS
MD711-SU2061	750-MD7110-300G	Fanless, Intel Core i7-6600U, 1 HDMI, 1 DVI-D, 2 LAN, 2 COM, 6 USB, 1 PCIe x16, RoHS

► Optional Items

Optional Items	Part Number	Description
Memory	785-RSOD416G	SODIMM, DDR4 Module, 16GB, RoHS
	785-RSOD48G	SODIMM, DDR4 Module, 8GB, RoHS
	785-RSOD44G	SODIMM, DDR4 Module, 4GB, RoHS
Storage	785-H251TBG	2.5" SATA HDD, 1TB, RoHS
	785-H25500G	2.5" SATA HDD, 500GB, RoHS
	785-S251TBG	2.5" SATA SSD, 1TB MLC, -40 to 85°C, RoHS
	785-S25512G	2.5" SATA SSD, 512GB MLC, -40 to 85°C, RoHS
	785-S25256G	2.5" SATA SSD, 256GB MLC, -40 to 85°C, RoHS
	785-S25128G	2.5" SATA SSD, 128GB MLC, -40 to 85°C, RoHS
	785-S25064G	2.5" SATA SSD, 64GB MLC, -40 to 85°C, RoHS
	785-S25032G	2.5" SATA SSD, 32GB MLC, -40 to 85°C, RoHS
Wi-Fi	785-WIFIKT	Wi-Fi Kit, RoHS
Power Cord	785-PWRD	Power Cord, Standards (USA/EUR/CH), 1.8m, RoHS
Power Adapter	671-106016-000G	60W, 24V/2.5A, Level 6, RoHS
Wall Mount	761-MD7110-000G	MD711-SU Wall Mount Kit, RoHS

► Packing List

• 1 MD711-SU system unit
• Mounting screws for SATA drive
• Mounting screws for Mini PCIe module
• 1 Quick Installation Guide
• 1 Power Adapter